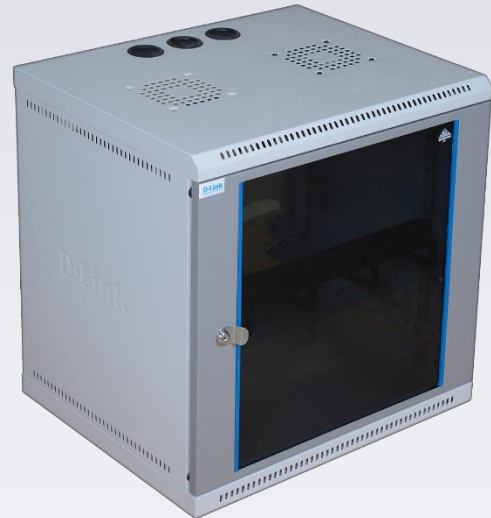


Wall Mount Steel Enclosure



Highlights

- Conforms to DIN 41494 OR equivalent ISO Standards
- Adjustable 19" equipment mounting verticals provide the better mounting flexibility maximizing the usable mounting space
- Depth adjustable mounting slots
- Precision engineering capabilities and best efficient software configuration product technology provides the best product quality and fastest delivery in the industry

Product Summary

D-Link Wall Mount Enclosures specially designed for small networking, domestic applications, Audio Video, Telecom and Lab applications.

Enclosures are fabricated out of CRCA steel, CNC programmed, punched, bended, welded and powder coated with highest quality standards.

Configuration for Standard Enclosures

Welded frame integrated with side walls and vented top cover with fan mounting provision, rear side of the Enclosure having wall mounting provision, front glass door with lock and Key provides the visibility and security.

Wall Mount Enclosures are available in 4U to 15U Variants with 400mm/ 450mm/ 500mm/ 600mm depth. Width 550mm.

Features

- Conforms to DIN 41494 OR equivalent ISO Standards
- Adjustable 19" equipment mounting verticals provide better mounting flexibility and maximizes the usable mounting space
- Depth adjustable mounting slots
- Precision engineering capabilities and best efficient software configuration product technology provide the best product quality and fastest delivery in the industry
- Top and bottom Panel with ventilation and cable entry facility
- Provision to mount cooling fans on the top panel
- Powder coated finish with pretreatment process meeting all industry standards
- Grounding and Bonding Options. 100% assured compatibility with all equipment conforming to DIN 41494 (General industrial standard for equipment)

Technical Data:

Rack Standard	:	Conforms to DIN 41494 or equivalent standard
Construction	:	Welded
Front Door	:	Lockable Toughened Glass door
Basic Frame	:	Steel
Equipment Mounting	:	DIN Standard Slots
Mounting Angle	:	19" Mounting angles made of formed steel
Standard Finish	:	Powder Coated
Top and Bottom Cover	:	Welded to Frame, Vented and Field Cable entry exit cut outs
Standard Color	:	Grey
Static Load	:	40 kgs

Part Code & Dimensions:

Part Code	Height OD	Height Usable	Height Usable	Width	Usable	Depth	Usable
	In mm(H)	in mm (H)	in U (H)	In mm(W)	Width(W)	In mm(D)	In mm(D)
NWR-9U-5560-GR-16	480	400	09U	550	19"	600	550

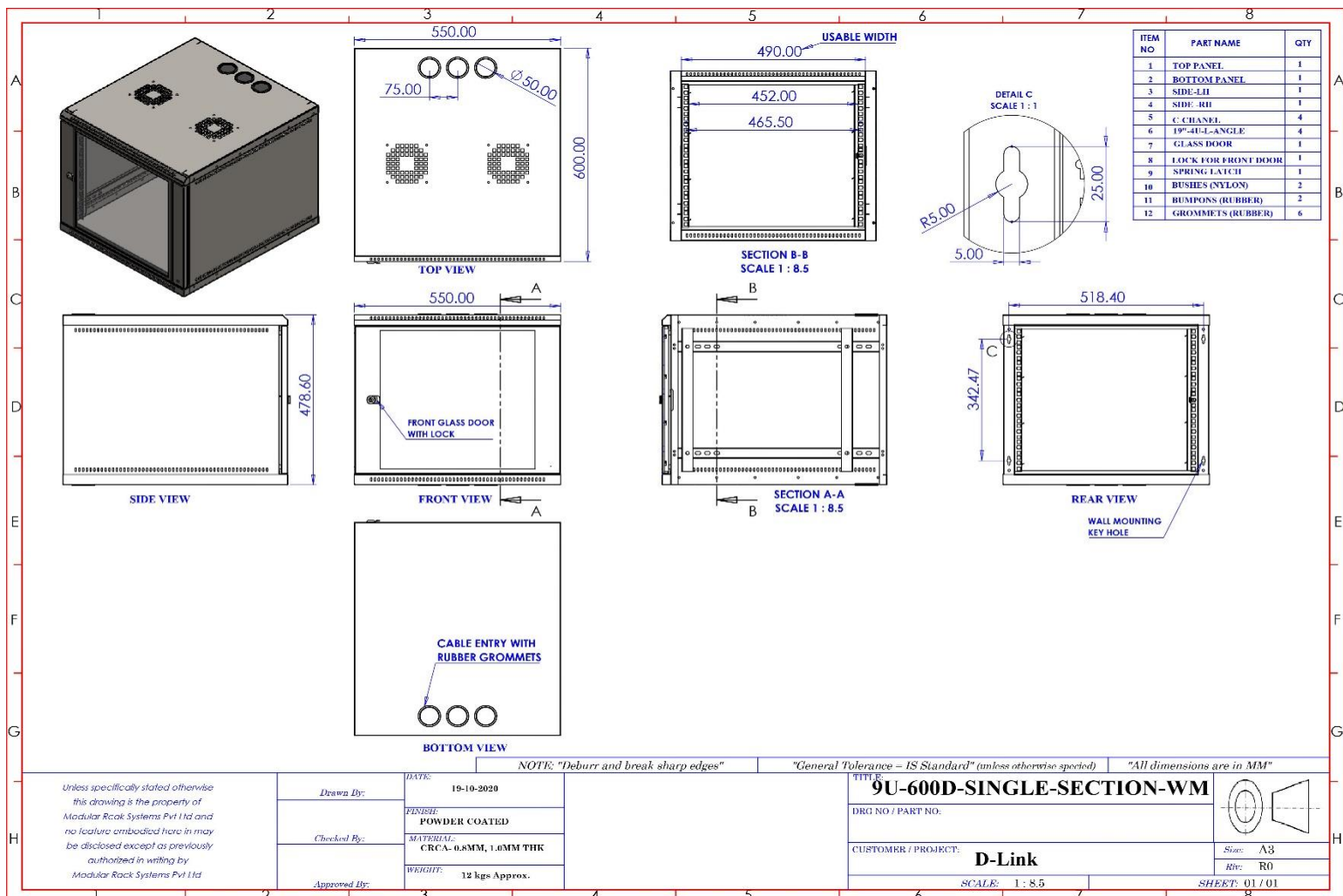
Technical BOM:

SR	Part code	Description
1	NWR-9U-5560-GR-16	Wall Mount 9U x 550 W x 600 D - Grey Color Front Glass Door (tinted, Toughened) with Lock & Key, 2 pairs of 19" Mounting Rails with U-Marking Welded Side Walls with Metal Engraved D-Link Logo Standard Accessories: 1U Cable Manager (1), Hardware Pkt of 20 (1 Pkt) 6 Socket 5/15 Amp. Power Distribution Unit (1 No) Roof Mounted Fan Unit / 90 CFM /230V AC (1 No)

*Above enclosures are in grey color.

Orderable Accessories

• Power Distribution Units. • Cable Manager. • Fans and Fan Modules. • Horizontal Earthing Kit • cantilever Shelf



Specifications are subject to change without notice. D-Link is a registered trademark of D-Link Corporation and its overseas subsidiaries. All other trademarks belong to their respective owners. ©2022 D-Link Corporation. All rights reserved. E&OE.

